



EAA

Louvre

Description

The EAA type louvres are designed for usage in external termination of air ducts.

Properties

The EAA type louvres are made from aluminium profiles. They prevent the entry of large particles in the air or animals, into the ducting system. They also prevent the entry of rain water to a certain extent.

Materials

The frame and the blades are made from ETIAL-60 norm aluminium profiles.

Surface Treatment

After cleaning, the product is chromated and then painted with electrostatic powder paint to 20% gloss RAL 9010 (white) with a minimum thickness of 60µ. Other colours are available upon request.

Accessories

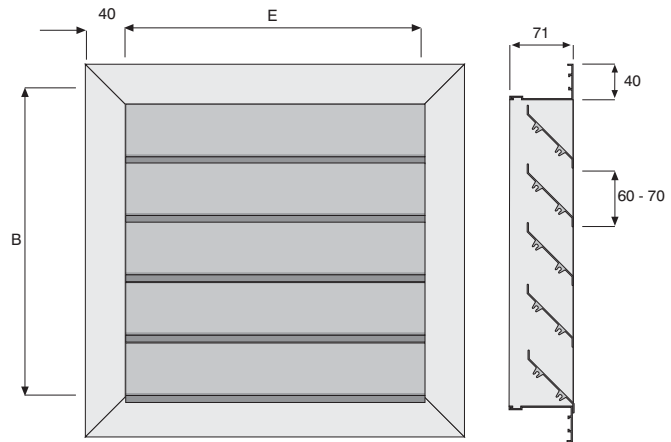
Wire Mesh

A mesh of wires with 12x12mm grids, it prevents the entry of large flying particles and animals.

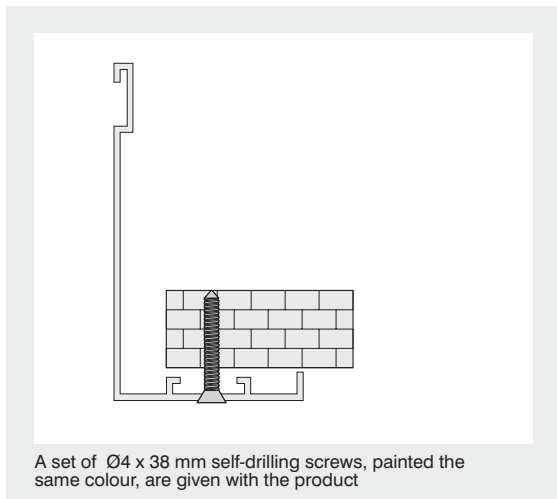
Dimensions

Standard Dimensions

E (mm)	B (mm)
200	224
300	294
400	364
500	434
600	504
700	574
800	644
900	714
1000	784
1100	854
1200	924
1300	994
1400	1064
1500	1134
1600	1204
1700	1274
1800	1344
1900	1414
2000	1484
	1554
	1624
	1694
	1764
	1834
	1904
	1974



Installation



A set of Ø4 x 38 mm self-drilling screws, painted the same colour, are given with the product

Technical Data

V _{eff.} (m/s)	Air From Inside to Outside		Air From Outside to Inside	
	Pressure Loss (Pa)	Sound Power Level dB(A)	Pressure Loss (Pa)	Sound Power Level dB(A)
1,50	10	30	14	35
2,00	19	40	24	44
2,50	29	47	36	51
3,00	42	52	52	55
3,50	58	57	70	60
4,00	72	60	91	64
5,00	115	67	145	71
6,00	165	72	200	75

$$V_{\text{eff.}} = \frac{V}{2160 \times E \times B}$$

E : Dimension (mm)

B : Dimension (mm)

v_{eff.} : Air Velocity (m/s)

V : Air Flow Rate (m³/h)

Specification Text

External louvre to protect the entry to the ducting system. The louvre will be made from ETIAL-60 norm aluminium profiles. The louvre will be cleaned and chromated, and painted with electrostatic powder paint to the requested colour with a minimum thickness of 60µ. The blades will be

placed so as to prevent horizontal vision. As an option, a steel wire mesh with 12x12 mm grids will be placed behind the frame to prevent large flying objects and animals to pass through the blades.

Order Code

Model		EAA.40.AA.10-500 x 714-9010	
Frame	40 mm	E x B (mm) Refer to page 2	Indicate RAL Colour Code
Accessories	AA...Without accessories AT...With wire mesh		
Installation	00...Without screw holes 10...With screws	Standard Dimensions	Colour Code

E

EAA

Louvre

KES KLİMA

INDUSTRIAL AND TRADE CO.

Uzay Çağı Caddesi No:10

06370 Östim/ANKARA

Phone: +90.312.385 76 57

Fax : +90.312.354 12 31

www.kesklima.com



TÜV Rheinland Group



DIN EN ISO 9001:2000

Zertifikat: 01 100 042854